



Nādia Lock



SMART LOCK
Series



Nādia Lock

ABOUT US

Serving the clients with utmost satisfaction and value since 1962, Nadia Locks has been deemed as a prominently recognized Manufacturer and Trader of Steel Furniture Locks. Conceptualized with an ethos to serve a huge clientele our high-quality range of products includes Main Door Cabinet Locks, Cam Locks and Cupboard Locks. Nadia Locks will align itself with manufacturers known for leading-edge technology and high-quality at competitive prices. Its experienced management teams will exercise for strategic vision and be dedicated to continued growth through new products, technologies, and services. Our vision is to provide quality, cost-effective engineering solutions that meet our customer's requirements and standards in the field of customized engineering solutions. Our repeat orders are the proof of our achievements, quality, performance and our commitments toward the satisfaction of our customers.

Our offered range is precisely manufactured using top notch quality galvanized iron and innovative techniques at vendor's well-established production unit. Our infrastructure is divided into various departments for hassle free production. Our workforce is at capital hand in its respective area and is dedicated to serving the clients satisfactorily through delivering the products on time. Furthermore, a team of quality controllers is hired to stringently monitor the entire process and randomly checks the range to ensure that it is at par with the international quality standards. Possessed of advanced, well-equipped warehousing and packaging facility, we are able to keep the large volume of stock for fulfilling the immediate demand of voluminous quantity.

Our company achieved great heights of success under the profound leadership of our esteemed mentor Mr. J. P. Gupta. His strong business acumen and insightful vision enable us in garnering a satisfied client base and enduring relations with them.



Nādia

SMART LOCK SERIES

E-M1601



- Touch pad button design, password can be consisted of 4-15 digits, billions of password available.
- Password can be set and changed by users, and memorized automatically when power off.
- 2 pieces AAA batteries can be used for 10,000 times and replaced easily. Automatic power shortage prompts.
- Introduced with Anti-Theft Technology and Fake PIN password function.
- Auto-alarm will be activated when input wrong password 4 times.
- Lock can be set with either 1 group or 2 groups of password to open. (once 2 groups of passwords mode selected, both groups of passwords have to be input to open)
- Switch between public and private mode freely.
- Decoder can be provided with Multilayer password management.
- Various accessories can be provided, special function can be customised.
- Installed with our independent intellectual property rights of the overload protection mechanism.



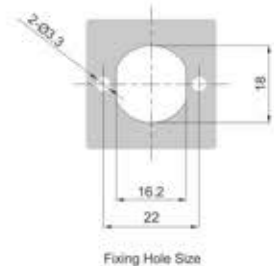
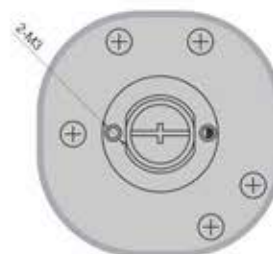


Nādia

SMART LOCK SERIES

E-M1602 (Suitable for wooden furniture also.)

- Touch pad button design, password can be consisted of 4-15 digits, billions of password available.
- Password can be set and changed by users, and memorized automatically when power off.
- Button cell can be used for 2,000 times and replaced easily. Automatic power shortage prompts.
- Introduced with Anti-Theft Technology and Fake PIN password function.
- Auto-alarm will be activated when input wrong password 4 times.
- Decoder can be provided with Multilayer password management.





Nādia

SMART LOCK SERIES

E-M1603 (Suitable for wooden furniture also.)



- Touch pad button design, password can be consisted of 4-15 digits, billions of password available.
- Password can be set and changed by users, and memorized automatically when power off.
- Button cell can be used for 10,000 times and replaced easily. Automatic power shortage prompts.
- Introduced with Anti-Theft Technology and Fake PIN password function.
- Auto-alarm will be activated when input wrong password 4 times.
- Switch between public and private mode freely.





E-M1701A



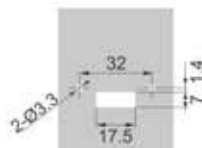
E-M1701B



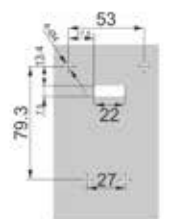
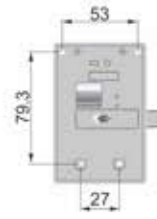
Nādia SMART LOCK SERIES

E-M1701A E-M1701B (Suitable for wooden furniture also.)

- Split type design for body and panel for different options.
- Automatic Locking System.
- Can be operated either by card or password.
- Touch pad button design, password can be considered of 4-15 digits, billions of password available.
- Password can be set and changed by users, and memorized automatically when power off.
- 3 pieces AAA batteries can be used for 10,000 times and replaced easily. Automatic power shortage prompts.
- Introduced with Anti-Theft Technology and Fake PIN password function.
- Auto-alarm will be activated when input wrong password 4 times.
- Lock can be set with either 1 group or 2 groups of password to open. (once 2 groups of passwords mode selected, both groups of passwords have to be input to open)
- Switch between public and private mode freely.
- Decoder can be provided with Multilayer password management.
- Various accessories can be provided, special function can be customised.



Fixing Hole Size



Fixing Hole Size



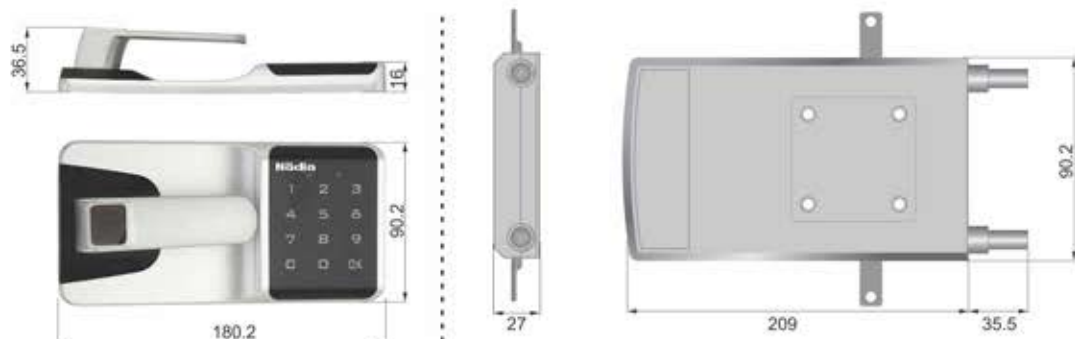
Nādia

SMART LOCK SERIES

E-M1705 (Fingerprint Model Also Available)



- Touch pad button design, password can be consisted of 4-15 digits, billions of password available.
- Password can be set and changed by users, and memorized automatically when power off.
- 4 pieces AA batteries can be used for 10,000 times, 9V emergency battery can be applied when battery is out of power. Automatic power shortage prompts.
- Introduced with Anti-Theft Technology and Fake PIN password function.
- Auto-alarm will be activated when input wrong password 4 times.
- Lock can be set with either 1 group or 2 groups of password to open. (once 2 groups of passwords mode selected, both groups of passwords have to be input to open)
- Both body and panel with alarm function.
- When cabinet being moved abnormally and knocked, it will alarm loudly.
- Installed with our independent intellectual property rights of the overload protection mechanism.



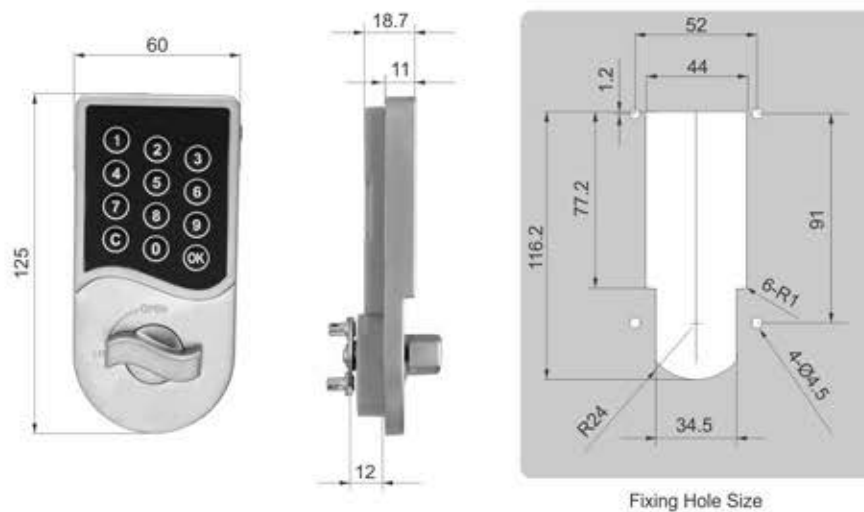


Nadia

SMART LOCK SERIES

E-19510

- Password can be consisted of 4-12 digits, billions of password available.
- Password can be set and changed by users, and memorized automatically when power off.
- 4 pieces AA batteries can be used for 10,000 times.
- Automatic power shortage prompts.
- Auto-alarm will be activated when input wrong password 4 times.
- Emergency battery can be applied when battery is out of power.





Nādia

SMART LOCK SERIES

E-HQ

- Motorized locking system, user code and master code.
- With manual override keys for emergency opening.
- Background light of keypad numbers, it is visible at night.
- LED display, set date and time.
- Records could be printed for checking.
- Lock up for 5mins if 3 times wrong code input.
- 4AA x 1.5V batteries, low battery warning.





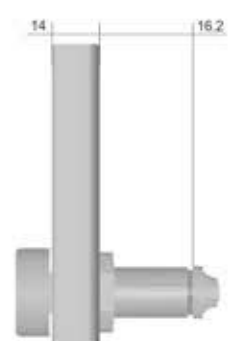
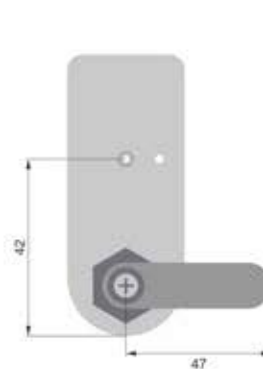
Nādia

SMART LOCK SERIES

E-P152 (Suitable for wooden furniture also.)



- High-end touch screen buttons.
- User code can be 1 to 8 digits in length, Ten million of possible combinations.
- User code are set and changed by user, automatic saves when power off, never lost and grabbed.
- Powered by button-cell battery, life time upto 1 years, automatic low battery warning.



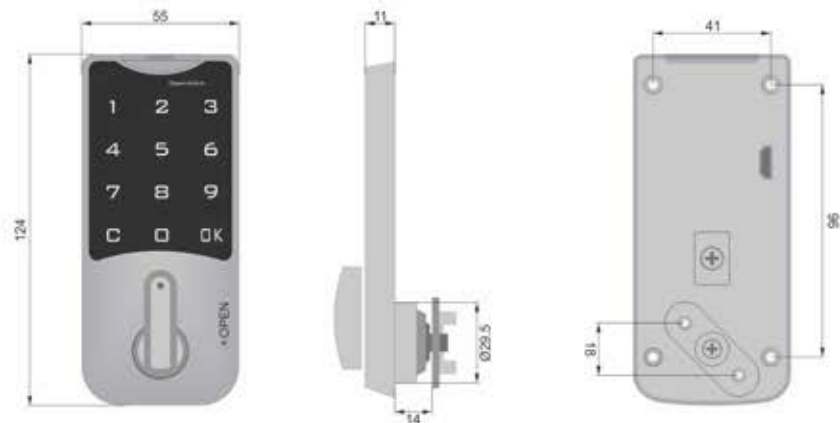


Nādia

SMART LOCK SERIES

E-D153

- High-end touch screen buttons.
- User code can be 1 to 15 digits in length, Ten million of possible combinations.
- User code are set and changed by user, automatic saves when power off, never lost and grabbed.
- Unlock by user code, say goodbye to any key, safe and convenient.
- Automatic alarm when enter four times wrong user code continuously.
- Exclusive clutch knob to avoid violently opening.
- Powered by button cell battery, lift time upto 1 years, automatic low battery warning.





Nādia Lock

AN ISO 9001:2015 CERTIFIED CO.

M/s. BEE JAY ENTERPRISES

14/133, Near Achal Tank, G. T. Road
Aligarh 202001 (INDIA)
9837034314, 9927034314, 7017532447
nadialocks@gmail.com, ruchit.ag.7@gmail.com

Authorised Dealer

